

InnScreen Perimeter **F6P**

[Pixelpitch 6,67 mm]

// Outdoor arena perimeter system
with emergency gate

Stadion perimeter screen with sharp, realistic,
interference-free image and high reliability.
Corner protection and internal wiring for save
Operating. Protective features.

With emergency gate.



High
brightness



Front/rear
service



5 VB
fireproof



EMC



IP66/65

Emergency
GATE



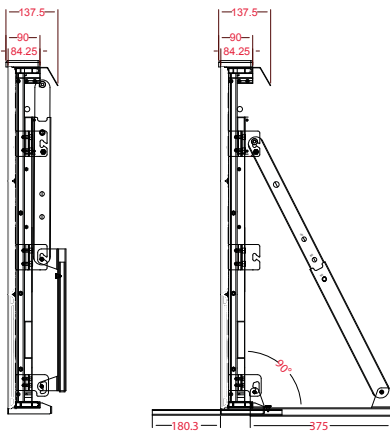
InnScreen Perimeter **F6P**

Physical Facts

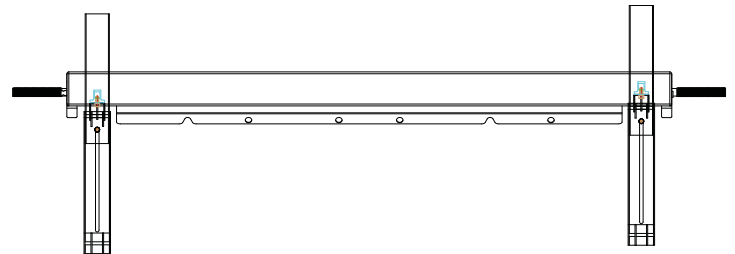
| | |
|---------------------------------|------------|
| Pixelpitch [mm] | 6,67 |
| Brightness [cd/m ²] | 6000 |
| Protection Level [Front/Back] | IP 66/65 |
| Panel Size 1 [mm] | 800 x 900 |
| Panel Size 2 [mm] | 1600 x 900 |
| Panel Weight 1 [kg] | 40 |
| Panel Weight 2 [kg] | 62 |
| Panel Depth [mm] | 90 |
| Panel Material | Aluminum |

Optical Facts

| | |
|-----------------------------|---------------------|
| Viewing Angle Hor/Ver [Deg] | 170 / 110 |
| Refresh Rate Min. [Hz] | 3.840 |
| Driver IC | ICN 2153S |
| LED Type | SMD 2727 |
| LED | Nationstar [copper] |
| Processing [bit] | 16 |
| Video Processing | Invision K9+ |



Unit mm / 1:20 / side



/ top

INNLIGHTS STANDARDS

WEEE-Reg.-No.: DE 55860379

Certificates: TUV CE, EMC CE (EMV)

Power Supply

| | |
|--|-----------|
| Input Voltage [V] | 100 - 240 |
| Wattage Max./Avg. [W /m ²] | 495 / 175 |

Environment

| | |
|--------------------------------|-----------|
| Operating Humidity [RH] | 10 - 90 % |
| Operating Temp. Min./Max. [°C] | -20 / +60 |